

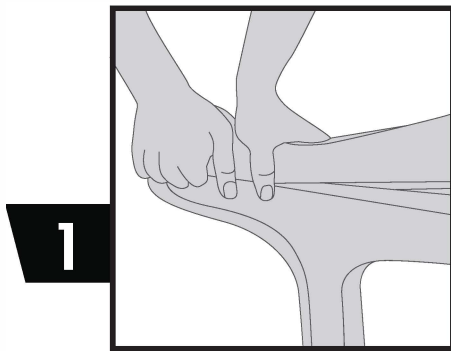
INSTRUCTION SHEET



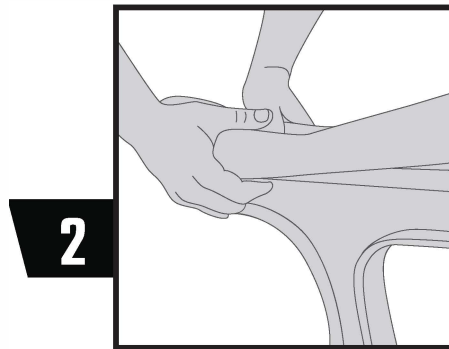
INSTALLATION REQUIRES ONE SIMPLE TOOL: YOUR FOOT.

To use your FootStake, simply install the pads and place the stake on the ground pointy side down and step on it with your foot. Once it's secure, repeat with second Tee. **It's that easy.**

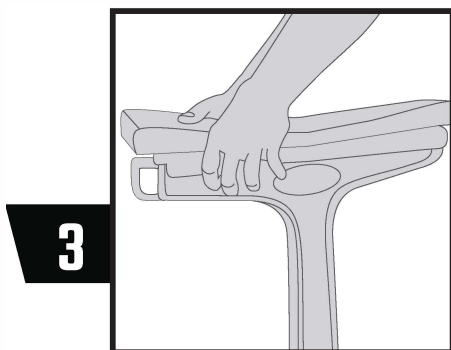
FOAM PAD ATTACHMENT



Starting on one end, begin sliding the foam over the Tee.

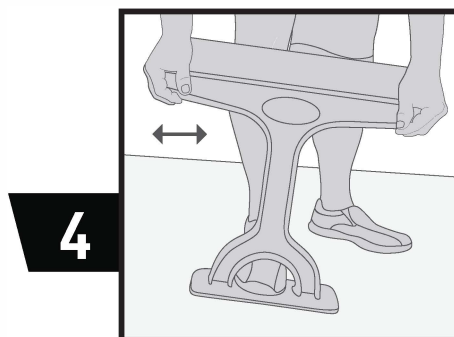


While holding the foam in place with one hand, reach around to the underside and pull the opposite flap around the top of the Tee.



Using both hands, continue to work the foam over the Tee.

FOOTSTAKE SETUP



Stabilize the Tee by holding each side. Use your foot to push down on the pad, while rocking the Tee slowly side-to-side. Repeat.